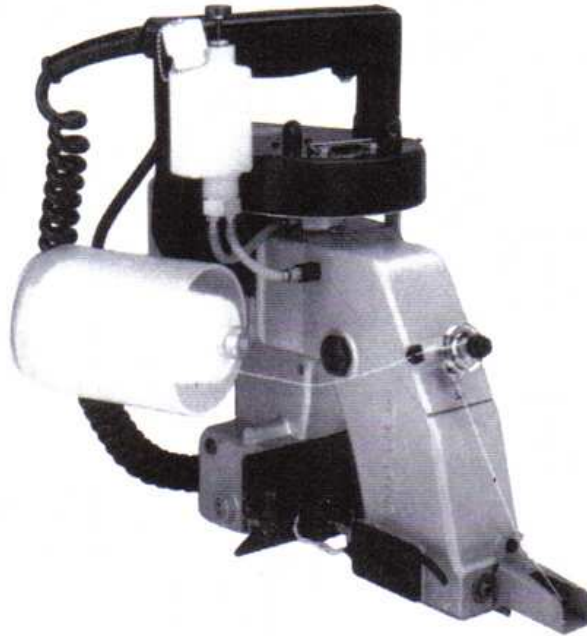


sew-europe
liverpool england

88, RICE LANE, LIVERPOOL, L9 1DD UK

0151 525 0511

sew-europe@btconnect.com



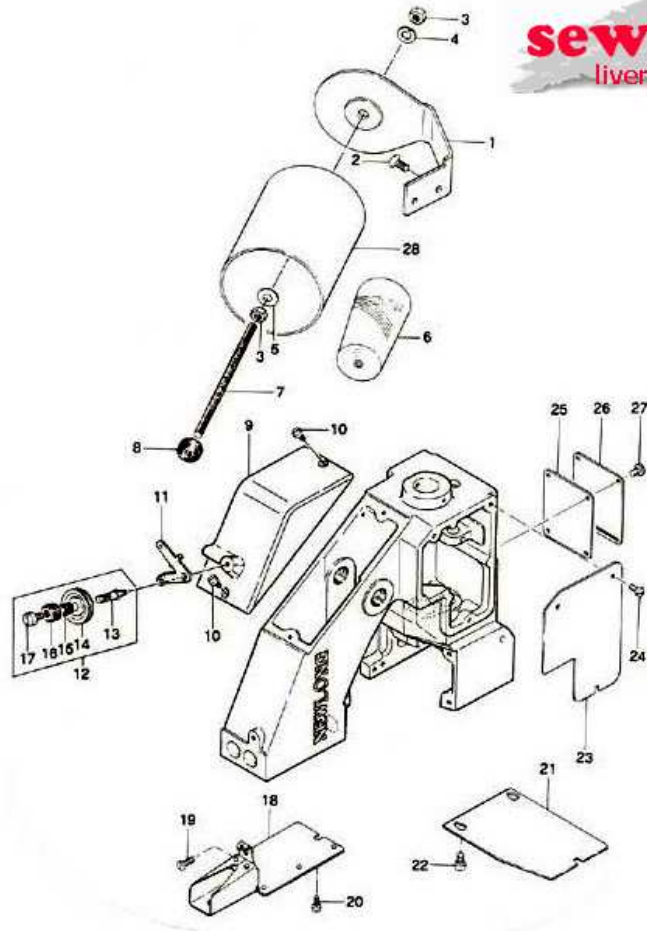
NEWLONG NP7A

PARTS LIST

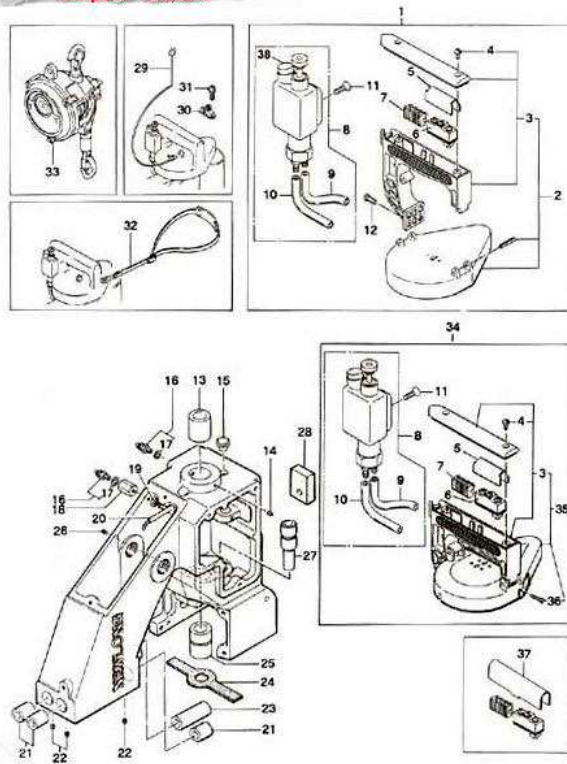
Newlong Model NP7A - Portable Sewing Machine
MODEL NP7A THREAD TENSION & COVER PARTS :

sew-europe
 liverpool england

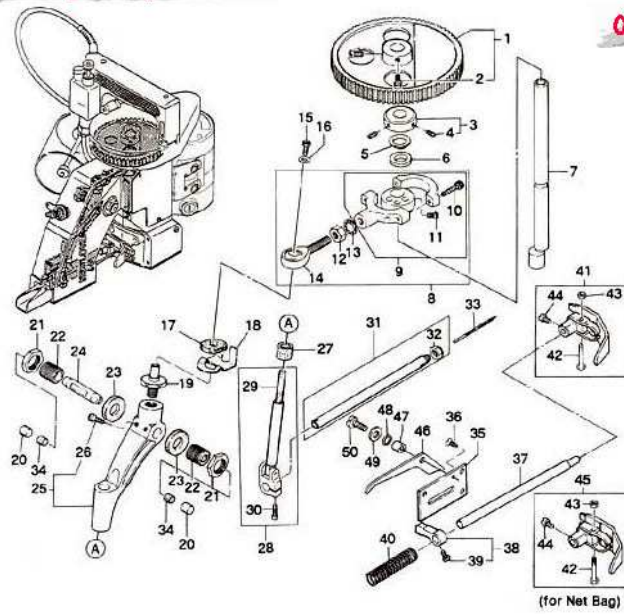
0151 525 0511



ITEM	QTY.	PART #	DESCRIPTION
1	1	245042	Thread Stand
2	2	15/64S28028	Screw for 245042
3	2	1N6	Nut
4	1	3W6	Spring Washer
5	1	2W6	Washer
6	1	T8	Thread
7	1	245052	Thread Cone Clamping Rod
8	1	245201	Thread Cone Clamping Nut
9	1	245014	Top Cover
10	2	9/64S40005	Screw for 245014
11	1	245551	Thread Eyelet
12	1	245081C	Thread Tension Assembly (Items 13 - 17)
13	1	245081	Tension Post
14	2	065261	Tension Disc
15	1	245101	Tension Spring
16	1	245092	Tension Nut
17	1	9/64S40005	Screw for 245081C
18	1	245033	Needle Bar Guard
19	1	11/64S40005	Screw for 245033
20	2	9/64S40065	Screw for 245033
21	1	245222	Looper Cover
22	3	9/64S40065	Screw for 245222
23	1	245022	Side Plate
24	3	9/64S40005	Screw for 245022
25	1	245481	Gasket
26	1	245302	Inside Cover
27	4	9/64S40005	Screw for 245302
28	1	245181	Cover for Thread Cone - Special Order



ITEM	QTY.	PART #	DESCRIPTION
1	1	241024AS	Handle Assembly
2	1	241024A	Handle Assembly
3	1	241024	Handle
4	2	9/64S40011	Screw for 241024A
5	1	245132	Micro Switch Cover
6	1	C02001	Micro Switch (Z-15GK655-B)
	1	C02006	Micro Switch (X-10GD-B)
7	1	C05008	Flexible Terminal Block (ML-SK-1,4P)
8	1	D03003	Oiler
9	1	8FU2-6x90F	Oil Tube with oil felt
10	1	8FU2-6x60F	Oil Tube with oil felt
11	1	6S5x15	Screw for D03003
12	2	15/64S28021	Screw for 241024A
13	1	241122	Main Shaft Rear Bushing
14	1	9/64S40502	Screw for 241122
15	1	065401	Rubber Bushing
16	2	D07021	Joint (BN-5-6)
17	2	E03014	Washer
18	1	245471	Joint
19	1	1N4	Nut
20	1	245461	Oil Pipe
21	3	242212	Bushing, upper for Presser Bar & Needle Bar
22	3	9/64S40504	Screw for 242212
23	1	242222	Presser Bar Bushing - Lower
24	1	245541	Oil Felt
25	1	241111	Main Shaft Bushing - Lower
26	1	9/64S40502	Screw for 241111
27	1	243021	Looper Rocker Shaft Bushing
28	1	245162	Oil Felt
29	1	1-401	Hanger
30	1	241151	Hook
31	2	1/8S40006	Screw for 241151
32	1	245171	Shoulder Belt
33	1	1550	Spring Balancer
34	1	241024BS	Handle Assy. (Safety type with pulley cover)
35	1	241024B	Handle Assy. (Safety type with pulley cover)
36	1	9S2.6x10	Screw for 241024B
37	1	245133	Micro Switch Cover (Canada)
38	1	255351	Rubber Bushing

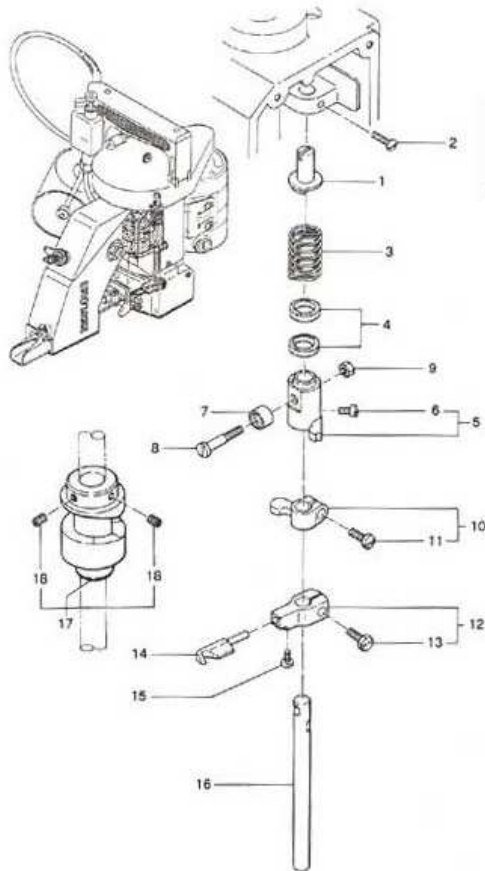


ITEM	QTY.	PART #	DESCRIPTION
1	1	241092	Synchro Pulley
2	2	3/16S28001	Screw for 241092
3	1	241131	Retaining Collar
4	2	11/64S40502	Screw for 241131
5	1	241161	Spacer
6	1	205131	Oil Felt
7	1	241102	Main Shaft
8	1	242011A	Connecting Rod Assembly
9	1	242011	Connecting Rod Sub-Assembly
10	2	4B5x15	Screw for Connecting Rod Cap
11	2	11/64S40001	Screw for Eccentric Cam
12	1	1N8	Nut for 242011A
13	1	5W8	Washer for 242011A
14	1	6A04001	Rod End Bearing
15	1	11/64S40084	Screw for 242031
16	1	11/64W15103	Washer for 242031
17	1	245211	Oil Felt
18	1	242041	Spring
19	1	242031	Rod End Stud
20	2	245491	Cap
21	2	5/8N18101	Nut for 242081
22	2	242081	Adjusting Stud
23	2	245231	Oil Felt
24	1	242071	Needle Bar Lever Stud
25	1	242051A	Needle Bar Lever Assembly
26	2	11/64S40004	Screw for 242051A
27	1	245371	Oil Felt
28	1	242101A	Needle Bar Connection Assembly
29	1	205171	Oil Felt
30	1	11/64S40003	Screw for 242101A
31	1	242121A	Needle Bar with Nut
32	1	242131	Needle Clamp Nut
33	1	B01002	Needle (DNx1 #25)
34	2	065561	Oil Felt
35	1	242172	Presser Foot Lifter Base
36	3	11/64S40002	Screw for 242172
37	1	242201	Presser Bar
38	1	242181	Presser Bar Connection
39	1	11/64S40003	Screw for 242181
40	1	242191	Presser Spring
41	1	242231A	Presser Foot Assembly
42	1	9/64S40055	Screw
43	1	9/64N40101	Nut
44	1	11/64S40005	Screw for 242231A , 242233A
45	1	242233A	Presser Foot Assembly (for Mesh Bag)
46	1	242161	Presser Foot Lifter
47	1	242271	Collar
48	1	31LP6	"O" Ring
49	1	11/64W15103	Washer
50	1	11/64S40009	Screw for 242161

Newlong Model NP7A - Portable Sewing Machine
MODEL NP7A LOOPER DRIVING PARTS :

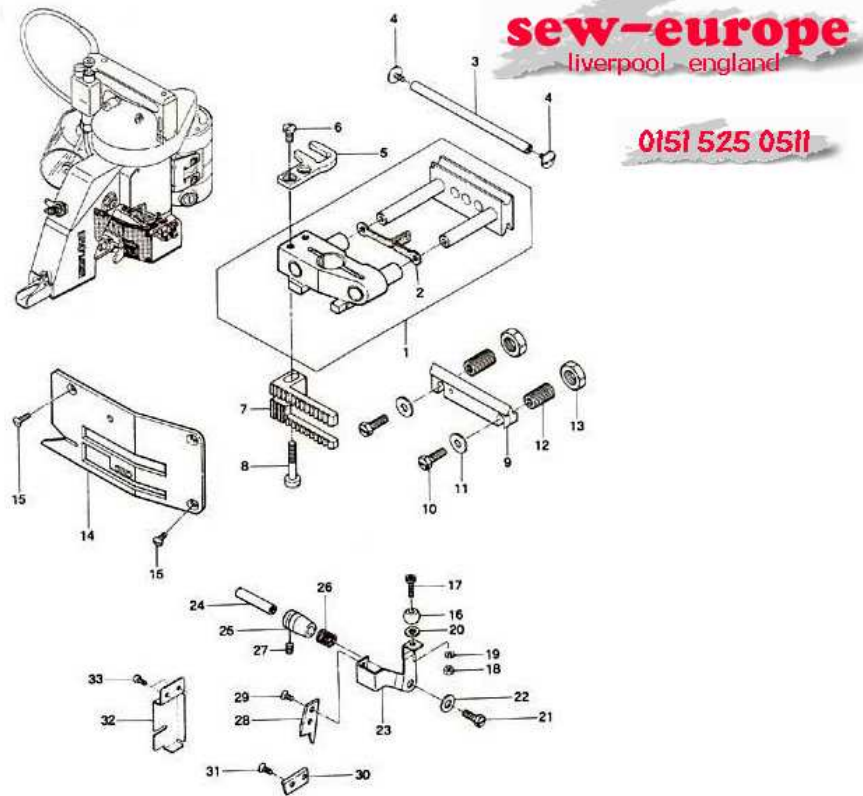
0151 525 0511

sew-europe
 liverpool england



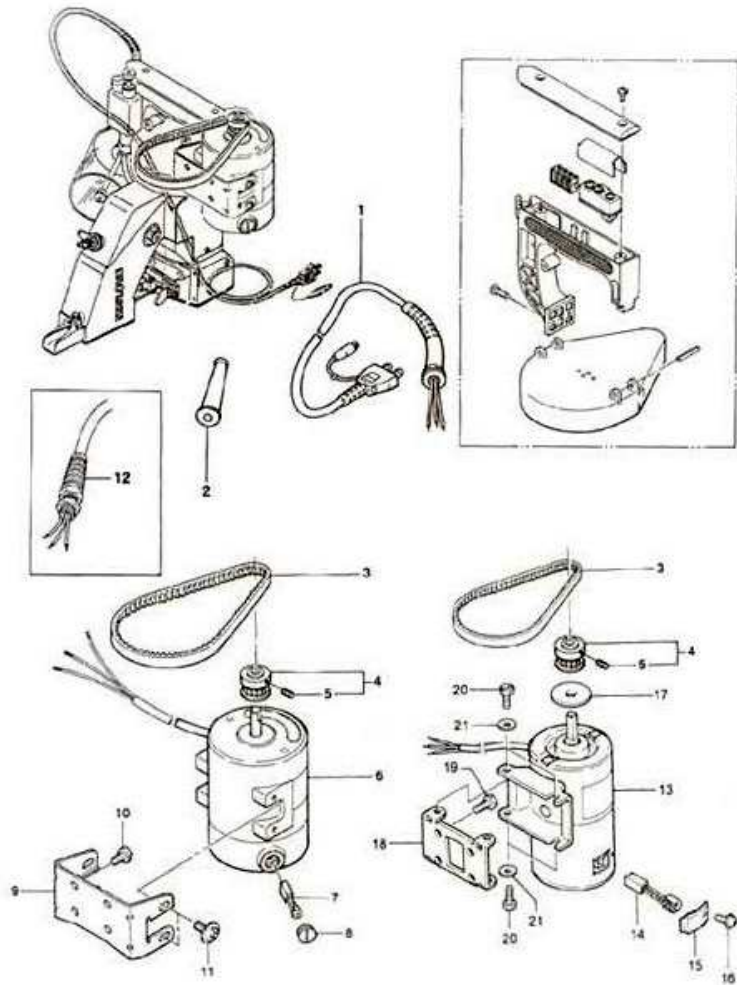
ITEM	QTY.	PART #	DESCRIPTION
1	1	243121	Spring Supporter
2	1	11/64S40003	Screw for 243121
3	1	243131	Spring
4	2	205131	Oil Felt
5	1	243071	Looper Rocker Shaft Arm (A)
6	1	11/64S40002	Screw for 243071 (included w/ #5)
7	1	243041	Roller
8	1	243061	Roller Stud Screw
9	1	11/64N40201	Nut for 243061
10	1	243081	Looper Rocker Shaft Arm (B)
11	1	11/64S40009	Screw for 243081 (included w/ #10)
12	1	243092	Looper Rocker
13	1	11/64S40089	Screw for 243092 (included w/ # 12)
14	1	243102	Looper
15	1	9/64S40001	Screw for 243102
16	1	243032	Looper Rocker Shaft
17	1	243012	Looper Drive Cam
18	2	15/64S28524	Screw for 243012 (included w/ #17)

Newlong Model NP7A - Portable Sewing Machine
MODEL NP7A FEED DRIVING & THREAD CUTTER PARTS :



ITEM	QTY.	PART #	DESCRIPTION
1	1	244011A	Feed Dog Carrier Block Assembly
2	1	245391	Oil Felt (Included w/ #1)
3	1	244102	Slide Block Guide Stud
4	2	9/64S40011	Screw for 244102
5	1	246011	Knife Bracket Extension
6	2	3/16S32031	Screw for 246011
7	1	244111	Feed Dog
8	1	3/16S32034	Screw for 244111
9	1	244081	Slide Block Adjusting
10	2	3/16S32025	Lock Bolt for 244091
11	2	11/64W15103	Washer for 244091
12	2	244091	Stud Slide Block Adjusting Support
13	2	3/8N24201	Lock Nut for 244091
14	1	244122	Throat Plate
15	3	9/64S40043	Screw for 244122
16	1	246081	Ball
17	1	4B3x12	Bolt for 246081
18	1	1N3	Nut for 246081
19	1	3W3	Spring Lock Washer
20	1	1W3	Washer for 246081
21	1	11/64S40049	Screw for 246021
22	1	11/64W15103	Washer for 246021
23	1	246021	Knife Bracket
24	1	246032	Knife Bracket Pin
25	1	246042	Bushing for 246032
26	1	246051	Knife Tension Spring
27	1	9/64S40502	Screw for 246042
28	1	246061	Knife, Moving
29	2	1/8S40003	Screw for 246061
30	1	246071	Knife, Stationary
31	2	1/8S40003	Screw for 246071
32	1	245561	Knife Cover
33	2	1/8S40006	Screw for 245561

Newlong Model NP7A - Portable Sewing Machine
MODEL NP7A MOTOR PARTS :



sew-europe
 Liverpool england

0151 525 0511

ITEM	QTY.	PART #	DESCRIPTION
1	1	11808	Cord w/plug
2	1	n/a	Rubber Bushing - supplied with cord
3	1	F01001	Timing Belt (specify 160XL-new or 170 XL-old)
4	1	241083	Motor Pulley
5	2	11/64S40504	Screw for 241083
6	1	C01021/C01023	Motor - New style - 110v / 230v
7	2	C08008	Carbon Brush, for AC Motor
8	2	C07004	Cap for Motor Brush
9	1	241075	Motor Base
10	4	15/64S28004	Screw for 241075
11	4	13S5 x 10	Screw for Motor
12	1	n/a	Cable Clamp
13	1	C01021/C01023	Motor - Old style - 110v / 230v (hinge attached)
14	2	C08004	Carbon Brush for AC Motor
		C08005	Carbon Brush for DC Motor
15	2	C07003	Cap for Motor Brush
16	2	4S3 x 6-W	Screw for C07003
17	1	C07005	Rubber Ring
18	1	241073	Motor Base B
19	4	15/64S28004	Screw for 241073
20	4	11/64S40091	Screw for Motor
21	4	11/64W10101	Washer for Motor